



AVK GATE VALVE, LONG SPIGOT ENDS WITH PURGE POINTS, PN16

46/80-010

For gas steel pipes, external PUR, replaceable stem sealing, NBR, DN80-600

AVK gate valves are designed with built-in safety in every detail and with full traceability of vital valve components. The wedge is fully vulcanized with AVK's own oil and gas resistant NBR rubber compound. It features an outstanding durability due to the ability of the rubber to regain its original shape, the double bonding vulcanization process and the sturdy wedge design. The triple safety stem sealing system replaceable under pressure, the high strength stem and the thorough corrosion protection safeguard the unmatched reliability.

Product description:

Gate valve with long spigot ends for steel pipes and up- and downstream purge points. For gas -20°C to +60°C

Standards:

- Designed according to EN 13774, Spigot ends to EN10216-2

Test/Approvals:

- Hydraulic test to DIN 3230-5, PG 3 and EN 13774
- Seat: 1.1 X PN and 0.5 with air (in bar). Body: 1.5 X PN with water, 1.1 X PN and 0.5 with air (in bar)
- Approved according to DIN-DVGW Certificate NG-4313BO0281
- Approved according to DVGW EC Certificate CE-0085BO0317

Features:

- Integrated up- and downstream purge points with ball valves on both sides of the wedge
- Fixed, integral wedge nut prevents vibration and ensures durability
- Wedge fully vulcanized with NBR rubber and equipped with wedge shoes to provide smooth operation
- Wedge and body guide rails ensure stable operation
- Stainless steel stem with wedge stop and rolled threads for high strength
- Triple safety stem sealing with an NBR wiper ring and four NBR O-rings in a stem seal nut of dezincification resistant brass replaceable under pressure. A rubber manchette is the main seal to the flow.
- Full circle thrust collar provides fixation of the stem and low free running torques
- Round NBR bonnet gasket fixed in a recess
- Countersunk and sealed stainless steel bonnet bolts encircled by the bonnet gasket
- Full bore
- Low operating torques
- Epoxy coating to DIN 30677-2 and AVK guidelines, PUR according to EN 10290 type 2 class B for extra cathodic protection externally
- DN 500-600 are fitted with stainless steel roller bearings and external polyamide wedge shoes providing low operating torques. Furthermore, with ISO top flange F14 and eye lifting bolts.

Accessories:

Stem cap, extension spindle and street cover



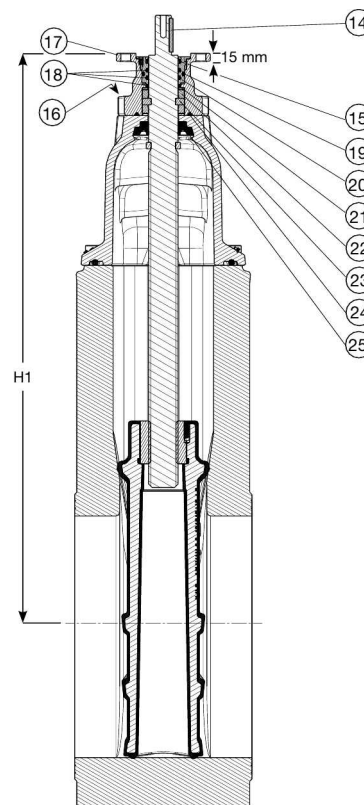
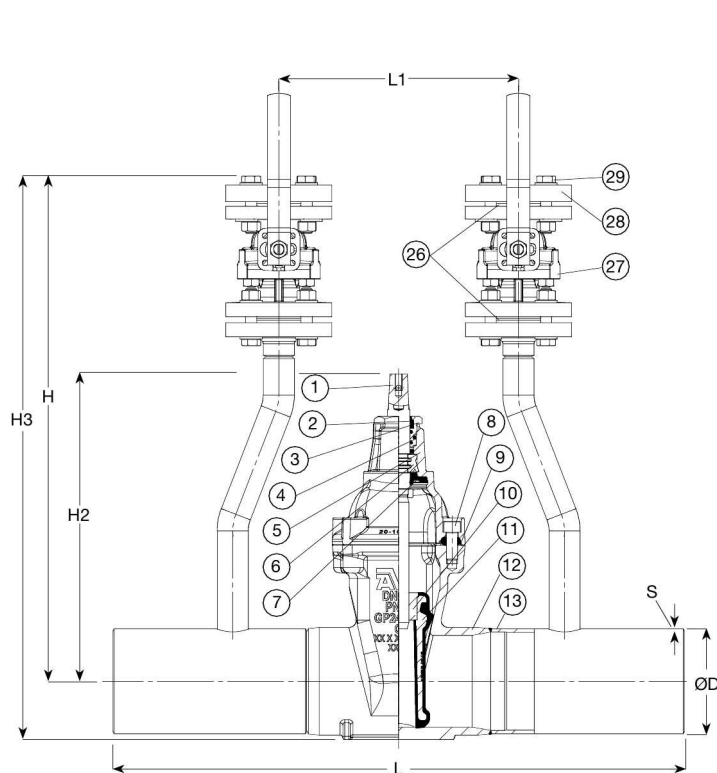
Expect ... **AVR**

The designs, materials and specifications shown are subject to change without notice due to the continuous development of our product range.

AVK GATE VALVE, LONG SPIGOT ENDS WITH PURGE POINTS, PN16

46/80-010

For gas steel pipes, external PUR, replaceable stem sealing, NBR, DN80-600



DN 500-600

Component list:

1. Stem	Stainless steel 1.4104 (430F)	16. Bolt	Stainless steel A2
2. Wiper ring	NBR rubber	17. Gland flange	Ductile iron
3. Stem seal nut	Brass, DZR CW602N	18. O-ring	NBR rubber
4. O-ring	NBR rubber	19. O-ring	NBR rubber
5. Bonnet	Ductile iron GJS-500-7 (GGG-50)	20. Stem seal nut	Brass, DZR CW602N
6. Thrust collar	Brass, DZR CW602N	21. Thrust washer	Stainless steel 1.4104 (430F)
7. Manchette	NBR rubber	22. Roller bearing	Stainless steel
8. Bonnet bolt	Stainless steel A2, sealed with hot melt	23. Thrust collar	Stainless steel 1.4104 (430F)
9. Bonnet gasket	NBR rubber	24. O-ring	NBR rubber
10. Wedge nut	Brass, DZR CW626N	25. Sleeve	NBR rubber
11. Wedge	Ductile iron, NBR encapsulated	26. Gasket	Aramid and glass fibre
12. Body	Cast steel GP240GH+N	27. Ball valve	Cast iron
13. Welding end	Steel P235GH	28. Blind flange	Steel P235GH
14. Key	Stainless steel A2	29. Bolt	Steel, hot dip galvanized
15. Wiper ring	NBR rubber		

Components may be substituted with equivalent or higher class materials without prior notification.

Reference nos. and dimensions:

AVK ref. no.	DN	Purge point	Product	D	H	H1	H2	H3	L	L1	S	Theoretical weight / kg
	mm	DN	PN Class	mm	mm	mm	mm	mm	mm	mm	mm	
46-080-80-01380	80	25	PN16	89	536	-	297	590	650	260	3.2	31
46-100-80-01380	100	25	PN16	114	550	-	334	614	620	260	3.6	36
46-150-80-01380	150	25	PN16	168	576	-	448	666	630	280	4.5	53
46-200-80-01380	200	50	PN16	219	829	-	562	947	670	310	6.3	101
46-250-80-01380	250	50	PN16	273	857	-	664	1004	690	320	6.3	129
46-300-80-01380	300	50	PN16	324	882	-	740	1053	720	420	7.1	184
46-400-80-01380	400	50	PN16	406	1115	-	939	1315	770	420	8.8	335
46-500-80-01380	500	50	PN16	508	1411	1062	1133	1724	820	755	11	617
46-600-80-01380	600	50	PN16	610	1460	1205	1276	1830	870	755	12.5	782

The designs, materials and specifications shown are subject to change without notice due to the continuous development of our product range.